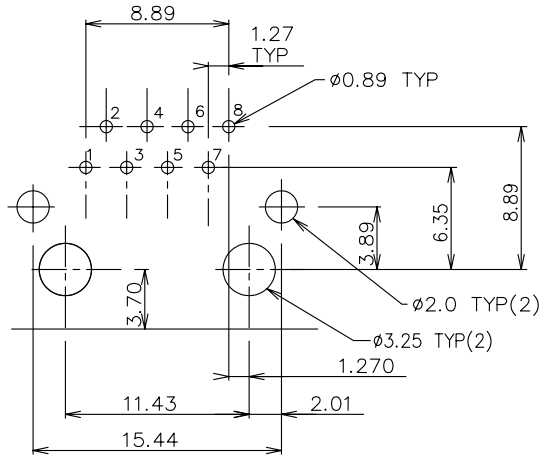
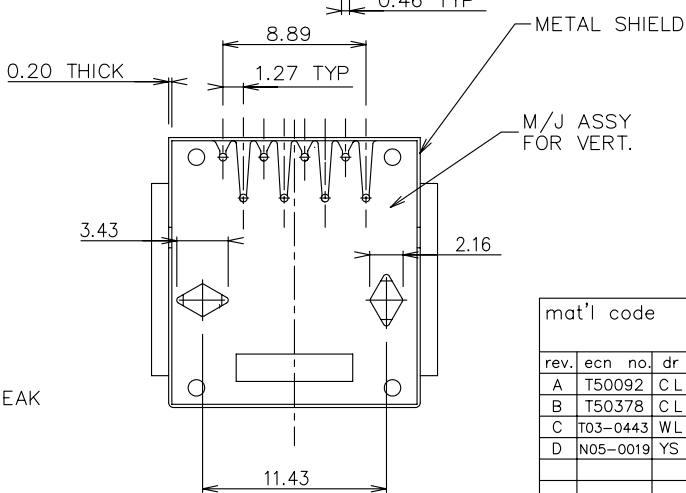
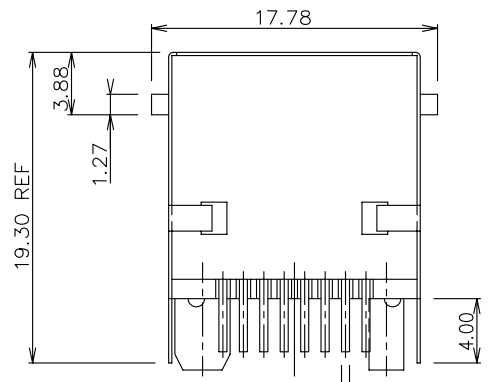
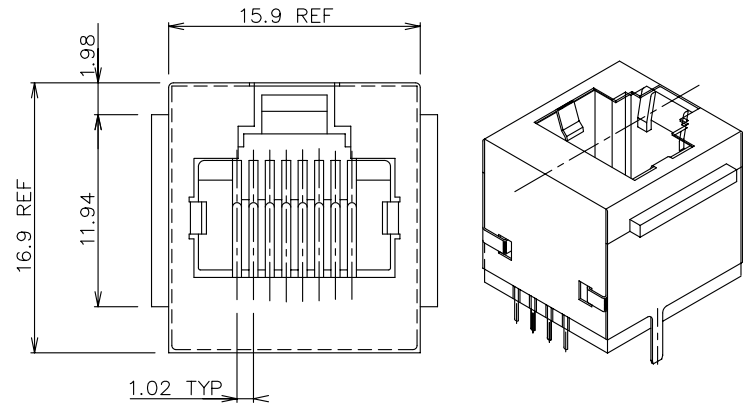


Tous droits strictement réservés. Reproduction ou communication, a des tiers int sous quelque forme que ce soit sans autorisation écrite du propriétaire. Propriété de c BERG ELECTRONICS. Droits de reproduction BERG ELECTRONICS by

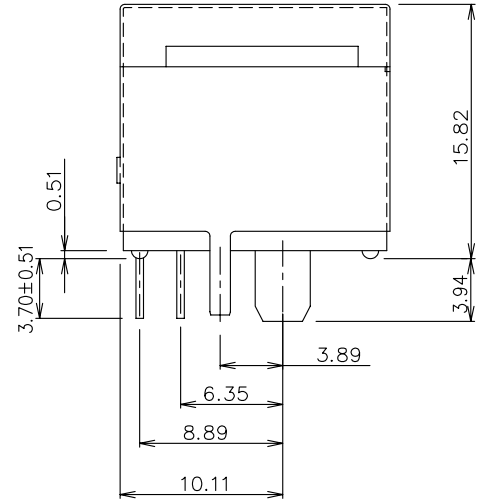
All rights strictly reserved. Reproduction or issue to third parties in any for whatever is not permitted without written authority from the proprietor. Property of c BERG ELECTRONICS. Copyright BERG ELECTRONICS by



RECOMMENDED PC BOARD LAYOUT



P/N	WIRE NUMBERS LOADED	PLATING
91133-088	ALL	30u" G.X.T.
91133-088LF	ALL	30u" G.X.T.



- NOTES:
1. RECOMMENDED P.C.B THICKNESS 1.60 MM
 2. HOUSING MAT'L: NYLON 66, 25% G.F UL 94V-0, BLACK.
 3. CONTACTS: PHOS BRONZE ALLOY UNS-C51000, ϕ 0.460 ROUND WIRE, PLATING SEE TABLE.
 4. METAL SHELL MATERIAL: COPPER ALLOY. 0.20mm THICK
FINISH:
FOR -XXX: TIN-LEAD 100u" THICK MIN.
FOR -XXX: PURE BRIGHT TIN 80u" THICK MIN.
 5. PACKAGING : GES-14-351, USE TRAY.
 6. ALL DIMENSIONS IN MILIMETER.
 7. IF LF P/N THE PRODUCT MEETS EUROPEAN UNION DIRECTIVES AND OTHER COUNTRY REGULATIONS AS DESCRIBED IN GS-22-008.
 8. THE HOUSING WILL WITHSTAND EXPOSURE TO 260°C PEAK TEMPERATURE FOR 10 SECONDS IN A WAVE SOLDER APPLICATION WITH A 1.60mm MINIMUM THICK CIRCUIT BOARD.
 9. IF LF P/N PACKAGING MEETS GS-14-920 SPECIFICATION.

mat'l code		tolerance unless otherwise specified		CUSTOMER COPY	 www.fciconnect.com
rev.	ecn no.	dr	date	linear	
A	T50092	CL	04/03/95	linear	.00 ± 0.13
B	T50378	CL	12/18/95	linear	.000± 0.05
C	T03-0443	WL	10/06/03	angles	± 2°
D	N05-0019	YS	01/27/05	dr	C L FENG 03/02/95
				enr	TONY CHIEN 03/02/95
				chr	TONY CHIEN 03/02/95
				appd	JENN TSAO 03/02/95
sheet	revision	D		unit	product family
index	sheet	1		mm/inch	8 POS VERT PCB M/J ASSY, DIAMOND PEG, SHIELDED
				scale	size
				3/1	A3
					code
					TWN
					sheet
					1 OF 1